

LUX CORPORATION, JAPAN



AUTO LIFT-UP DIRECT-DRIVE PLAYER SYSTEM

PD 264

OWNER'S MANUAL

Thank you for purchasing the PD264

The PD264 is a disc player using a Brushless DC Servo Motor Direct-Drive system. Provided is a turn-table platter of high inertia with which the large mass of platter weight is distributed around the outer contour, thus realizing excellent Wow & Flutter characteristics and stable rotation.

For the tonearm, a straight type is adopted to eliminate resonance caused by lack of solidity which tends to be found on the tonearm exclusively designed for high-compliance type cartridge. The root portion of the tonearm is of double-pipe structure to strengthen anti-resonance measures. The knife-edge structure is employed for the pivot receptacle, thus realizing quite stable operation. Further, the cartridge shell is integrated to the tonearm, and the resonance is suppressed down to the minimum.

The most salient feature of the PD264 is the Auto Lift-Up Function. When disc-playback is finished, the tonearm is automatically lifted up, and rotation of turntable ceases at the same time. This function prevents unnecessary tracing of the cartridge at the end of disc-playback.

LED's are employed for stroboscope light, thus realizing quite clear strobo-pattern since the power supply is wave-form rectified. Therefore, fine and accurate adjustment of rotation can be done much easier.

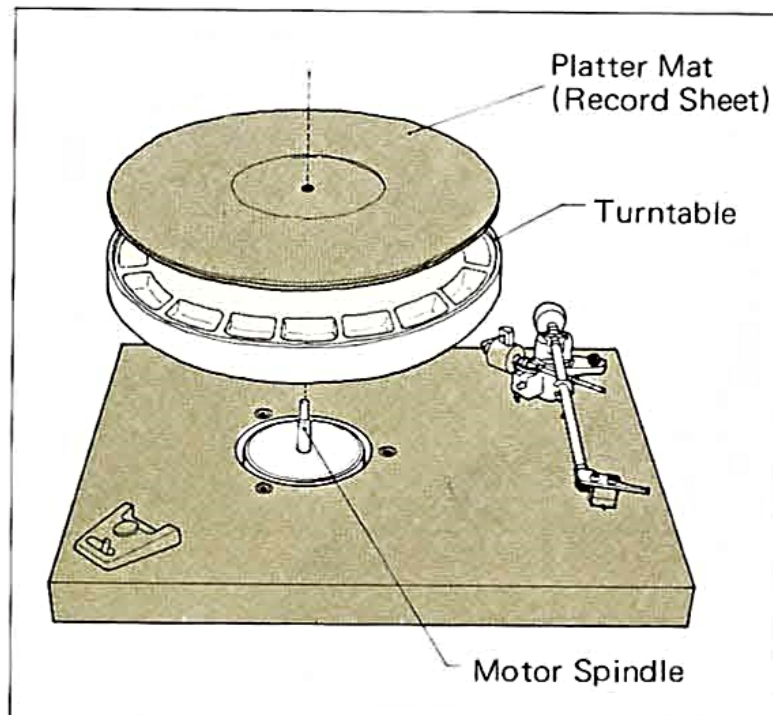
Please read this Owner's Manual carefully before you proceed to its installation and use. This will help you realize the excellent capabilities of the PD264.

ASSEMBLY PROCEDURE

To protect the turntable from possible damage in the course of transportation, such heavy components as turntable platter, and main-weight of tonearm or acrylic cover which tends to slip out or be broken are packed separately from the main chassis. Further the motor and the transformer are firmly fixed to the chassis by means of clamping screws. Therefore correct assembly in accordance with the drawing is required. Correct assembly is of prime importance, since both the performance of your player system and the final tonal quality depend on it.

1. Turntable Platter

The turntable platter and the platter mat are housed at the bottom of the pack-



ing case. After having taken off the mat from the platter, insert carefully the platter in the center shaft of the motor, holding it by fingers through the 2 holes. Now turn the platter manually to check if correct setting-up is obtained. Then put the mat on the platter.

CAUTION:

Do this procedure carefully since the turntable platter is very heavy. Rough handling may cause damage to the motor-shaft or the turntable itself.

2. Tonearm

[MAIN WEIGHT]

Take out the main-weight from the accessory compartment provided at the side of the packing case. Slide it into the tonearm shaft from the rear part of the tonearm.

[CARTRIDGE]

When you want to provide another cartridge, be careful about the lead connection. Four lead-wires are available at the shell, which are required to connect to the cartridge. Connection should be done by

color-discrimination as per the following guide:

WHITE L(+) (Hot-side of LEFT channel)
BLUE L(-) (Earth-side of LEFT channel)

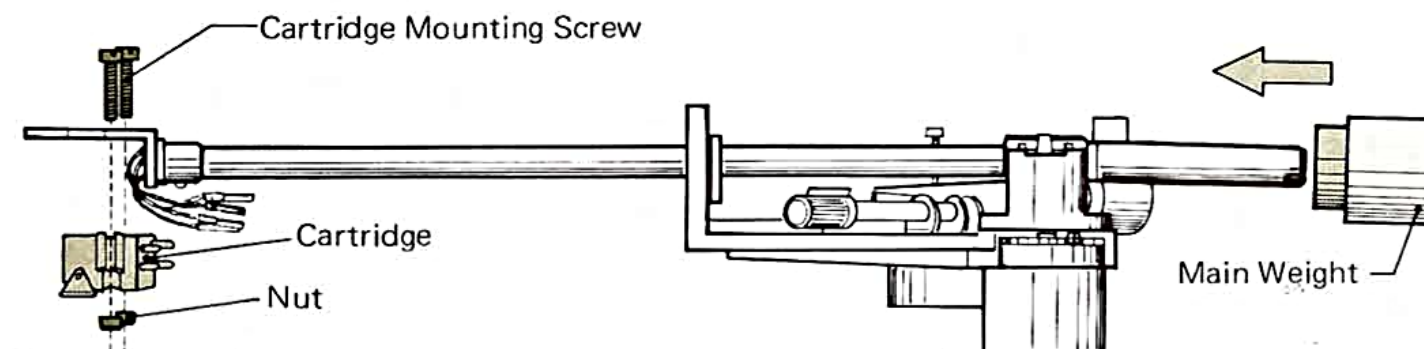
RED R(+) (Hot-side of RIGHT channel)

GREEN R(-) (Earth-side of RIGHT channel)

Then install the cartridge to the shell by use of screws and nuts. At this time, the over-hanging adjustment should be done by use of the Over-Hang Gauge provided. This is to obtain a certain distance (15mm for the PD264) between the center of motor spindle and the stylus of the cartridge. Two screw-holes, whose center is positioned at 9mm from the stylus-point, are provided on the shell, and ± 2 mm is allowable for over-hang adjustment.

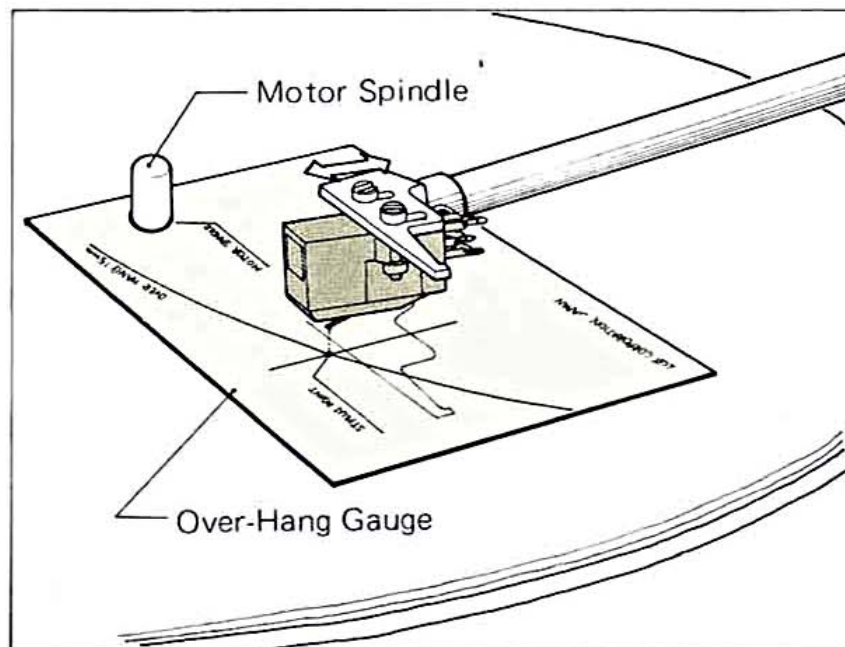
[HOW TO USE OVER-HANG GAUGE]

- (1) Put the hole provided on the gauge to the center spindle of the motor.
- (2) Let the tonearm be free from the tonearm rest. Then, bring it on to the turntable platter.



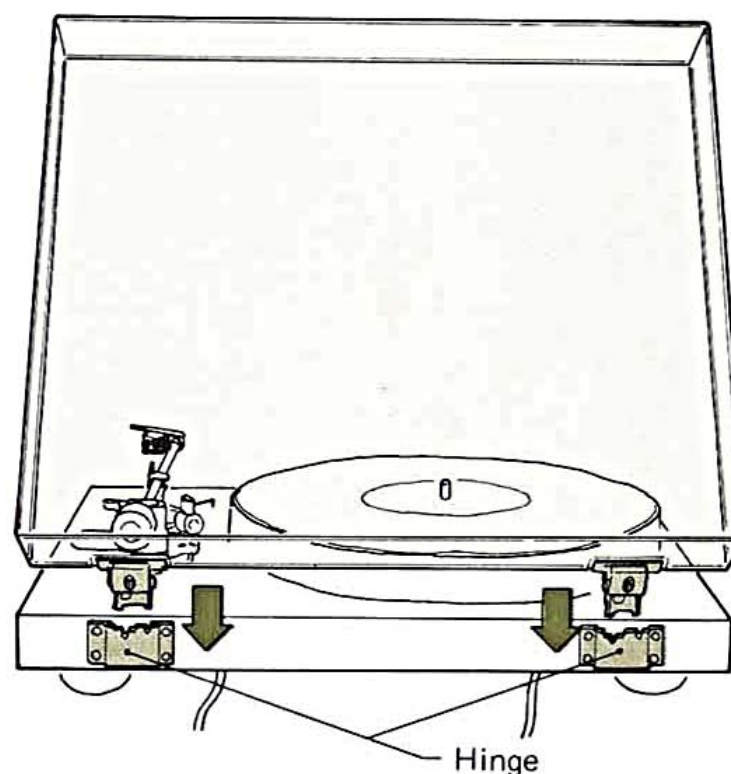
- (3) Lay the cartridge-shell of the tone-arm upon the silhouette marked on the gauge.
- (4) Adjust the cartridge so that the stylus-tip may precisely be on the stylus-point marked on the gauge. Then, fix the cartridge firmly to the shell.

Note that when you use this over-hang gauge, the AC plug provided at the end of the AC Power Cord should be disconnected from the power supply point, as otherwise the turntable platter will begin to rotate if the tonearm is brought on to the platter.



3. Dust Cover

This dust cover is detachable. For mounting, insert the projection on the hinge of the cover into that of the turntable. To remove the cover, slide it in the reverse direction.



ADJUSTMENT OF TONEARM

1. Horizontal-Balance Adjustment

Remove the tonearm from the arm-rest to let it be free. To protect the stylus, hold the shell by fingers. Then slide the main-weight back and forth, by rotating it, to realize horizontal balance of the tonearm. Then, rotate only the stylus pressure ring so that the "0" indication may precisely come to the index line of the tonearm shaft.

2. Stylus Pressure Adjustment

Rotate the main weight in the direction that the weight shifts to this side (counter-clockwise direction, seen from front). Be careful not to move the stylus pressure ring. Thus, obtain the necessary stylus pressure. The stylus pressure can be adjusted from 0g to 3g for cartridge ranging from 4g to 11g in weight.

3. Cartridge-Height Adjustment

When the stylus of the cartridge is put on the surface of a disc on the turntable, the tonearm should rest horizontal. There are many different cartridges in the marketplace, and in case the height of your cartridge is too low to obtain the horizontal balance of the tonearm, use the attached cartridge spacer. Three pieces of 1mm-thick spacer are provided. Insert the spacer between the cartridge and the head-shell.

4. Anti-skating Adjustment

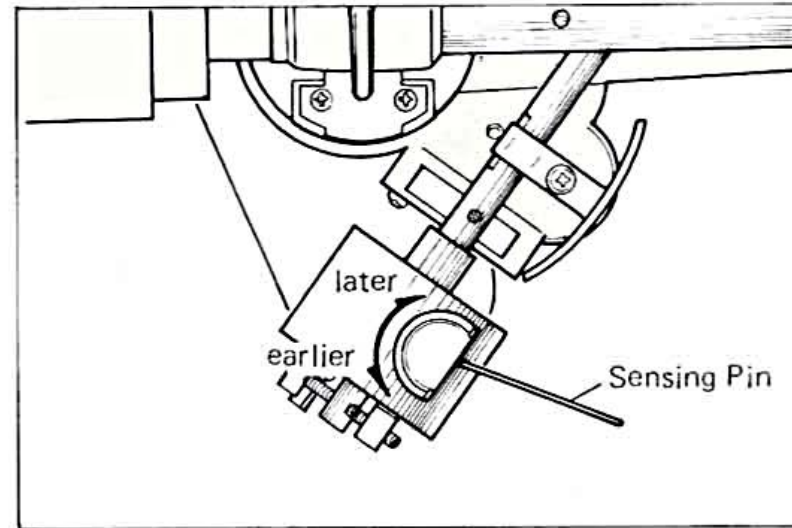
The value of skating-force differs by the form of the stylus-tip of a cartridge,

the material of the disc, etc. Turn the knob, and adjust it to an appropriate indication according to the stylus pressure of the cartridge.

5. Auto Lift-Up Function Adjustment

This adjustment is to change the lift-up timing of the tonearm at the end of disc tracing. Adjustment can be done by rotating the entire block clockwise or counter-clockwise as depicted. When it is rotated clockwise the lift-up timing becomes later, while the counter-clockwise rotation makes it earlier. The point changes from record

disc to disc, therefore find the optimum point by this adjustment. It is possible to release the auto lift-up function by rotating the block to the position that the tonearm does not touch the sensing pin.



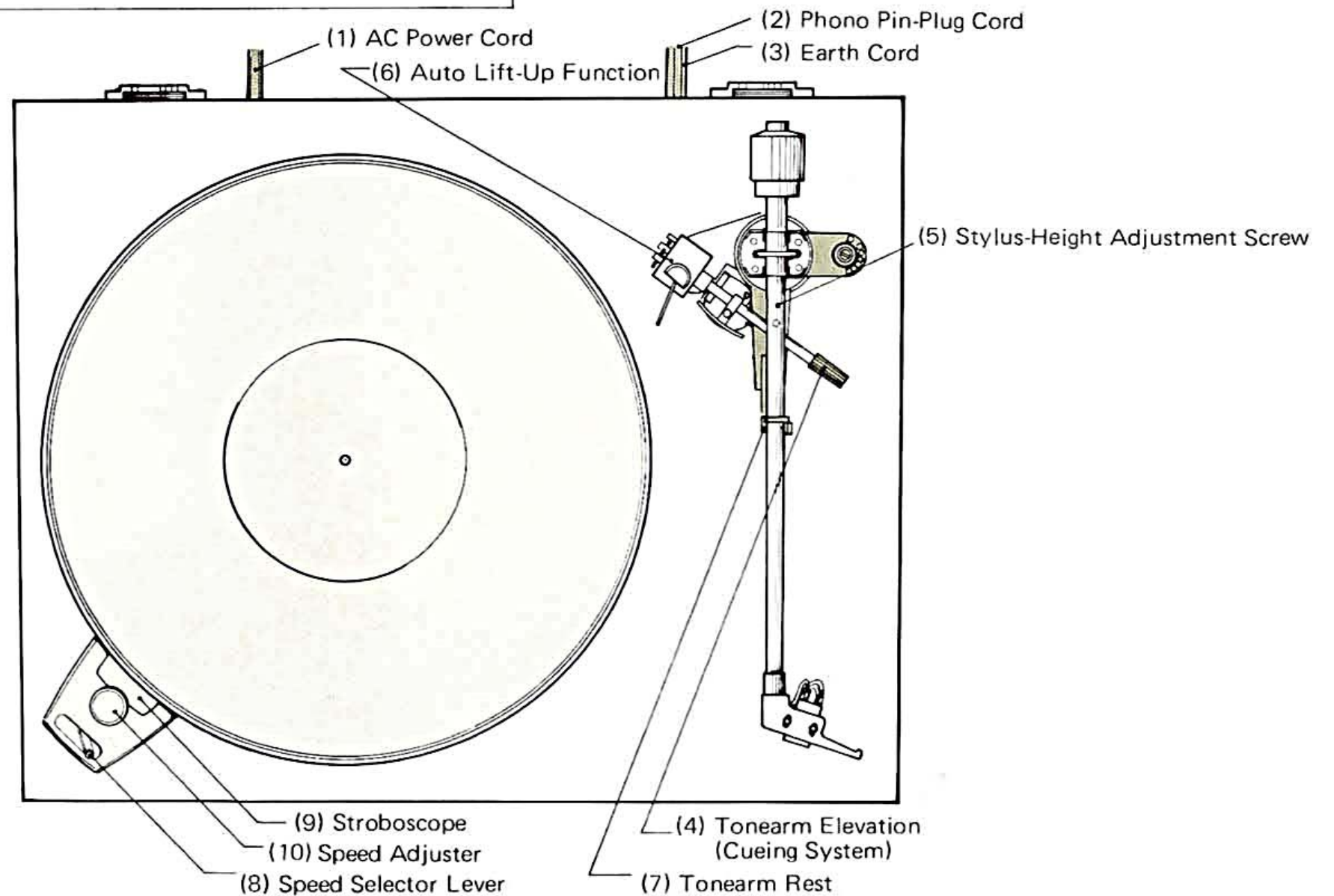
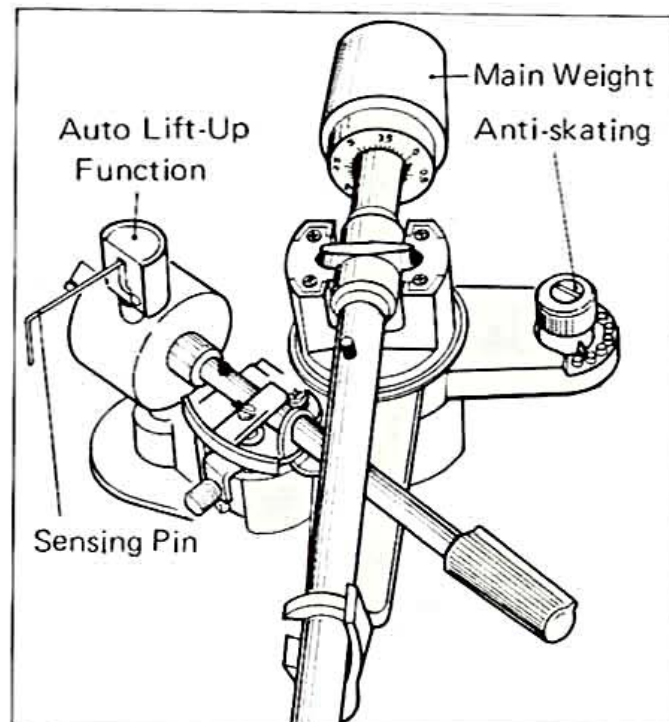
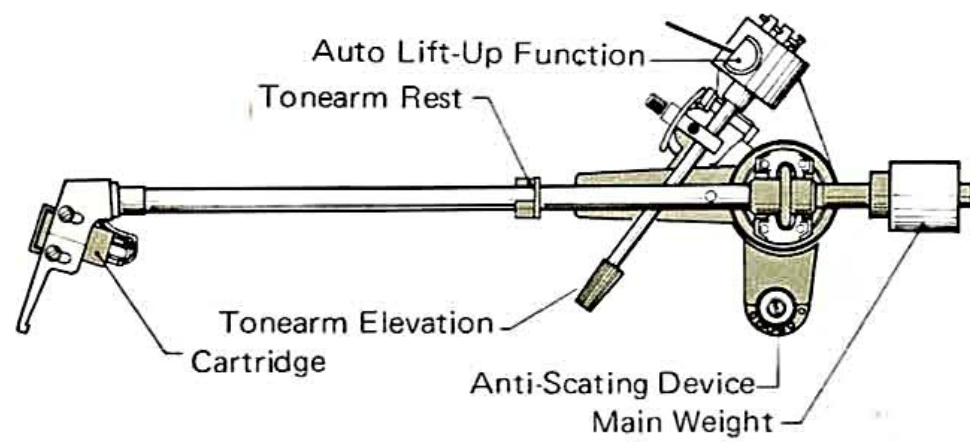
NAME AND USE OF EACH PART

1. AC Power Cord

Connect the AC plug at the end of the AC power cord to a wall socket in your listening room or to an extra AC outlet of an audio amplifier.

2. Phono Pin-Plug Cord

Connect the pin-plug to a PHONO terminal of an audio amplifier.



3. Earth Cord

Connect this cord to an earth terminal (GND) of the audio amplifier.

4. Tonearm Elevation Knob (Cueing System)

This function moves the tonearm up and down by means of hydro-pressure. This function also acts as an ON-OFF switch of the motor. The knob is provided with two click positions. Rotate the knob counter-clockwise until it comes to the first click position, and the turntable starts to rotate. Bring the tonearm towards the disc so that the stylus-tip is above the groove of the disc. Then rotate the knob further in the same direction to its dead end, and the tonearm is lowered.

When the knob is rotated clockwise during playback, the tonearm will gently come up from the disc surface, making it possible to reset the tonearm at the arm-rest without damaging the disc. Further rotation of the knob in the same direction stops rotation of the turntable.

5. Stylus-Height Adjustment Screw.

This screw is provided to adjust the height of stylus. When the height of the cartridge you use is low, it is possible that the tonearm will not be lifted up even if the elevation lever is operated. Adjust the screw so that the height of the stylus may become optimum.

6. Auto Lift-Up Function

This function prevents unnecessary tracing of the cartridge at the end of disc-playback. When disc-playback is finished, the tonearm is automatically lifted up.

Before using this function, a slight adjustment may be necessary to decide the lifting-up timing. Refer to the section "Adjustment of Tonearm".

7. Tonearm Rest

This provided to hold the tonearm when no playback is in progress. The tonearm clamp is also provided to prevent the stylus from any accidental damage.

8. Speed Selector Lever

This lever selects rotation speed between 33rpm and 45rpm.

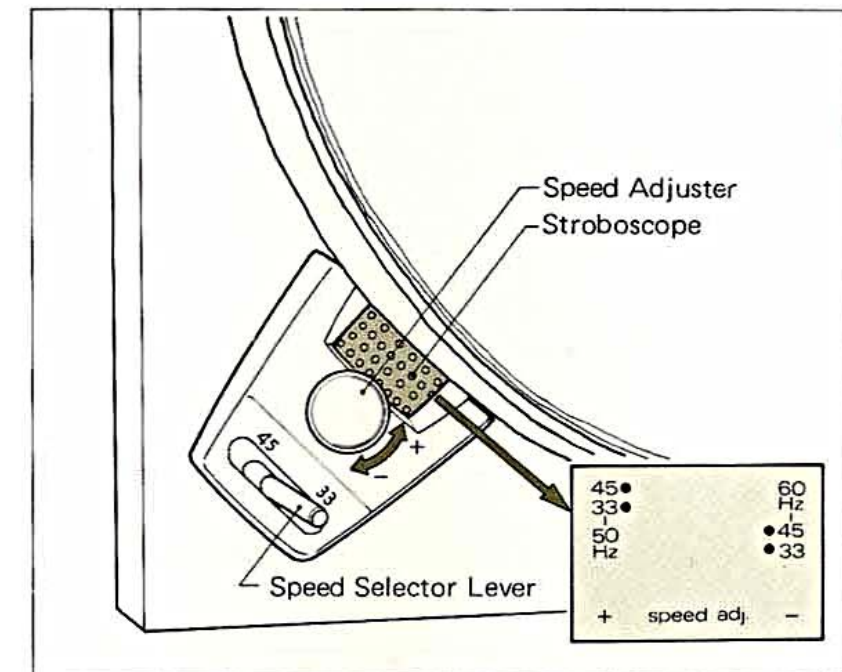
9. Stroboscope

The stroboscope is a mirror-reflex type. Four bands are provided; 45r.p.m., 33-1/3 r.p.m. for 60Hz, 45 r.p.m., 33-1/3 r.p.m. for 50Hz from top to bottom. The striped pattern appears motionless when accurate rotation speed is obtained.

10. Speed Adjuster

Accurate speed adjustment is possible by means of this adjuster. To adjust 33-1/3 r.p.m. set the Speed Selector Lever (8) to the "33" position, and then turn the

Speed Adjuster knob (10), monitoring the flow of the stroboscope pattern relevant to the AC line frequency. While to adjust 45 r.p.m. set the Speed Selector Lever (8) "45", then turn the knob (10). A clockwise turn of the adjuster increases rotation speed, while it is decreased with a counter-clockwise turn. When the stroboscope pattern appears to be stationary, correct rotation speed has been obtained. Before making this adjustment, be sure to check the AC line frequency, i.e., 60Hz or 50Hz.



SPECIFICATIONS

[Phono Motor Section]

- * Driving System: Direct-Drive System
- * Motor: DC-servo brushless motor
- * Turntable Platter: 30cm aluminium die-cast
(weight 1.8kg including platter-mat)
- * Rotation: 33-1/3 rpm, 45 rpm (2-speed)
- * Adjustable Range of Rotation: $\pm 6\%$
- * S/N Ratio: better than 60dB (IEC-B)
- * Wow & Flutter: no more than 0.035% W.R.M.S.

[Tonearm Section]

- * Tonearm: Straight Arm of static balance type
- * Effective Length: 240 mm
- * Tracking Error: $+2^{\circ}13'$, $-1^{\circ}08'$
- * Overhang: 15 mm
- * Cartridge Weight: 4g - 11g
- * Cartridge Height: 16mm ~ 19mm (by use of spacers)
- * Stylus Pressure: 0 - 3g (direct reading)
- * Accessories: Anti-skating adjustment, Tonearm Elevation, Auto Lift-Up Function, Stylus Height Adjustment Screw

[Cartridge]

- * Generating System: Dual Magnet
- * Optimum Tracking Force: 2.5g
- * Frequency Response: 20Hz ~ 20,000Hz
- * Output Voltage: 5.0 mV
- * Load Resistance: 47k ohms
- * Weight: 4.9g
- * Replacement Stylus: N-2700

[Additional Features]

- * Dust Cover: Detachable with semi-freestop hinge
- * Stroboscope: Mirror-reflex type
- * Shut-Off Switch: Auto Shut-Off of Turntable Rotation

[General]

- * Power Consumption: 5W
- * Dimensions: 438(W) x 125(H) x 365(D) mm
(17-1/4" x 4-15/16" x 14-3/8")
- * Weight: Net 5.8kgs (12.8 lbs.)
Gross 8 kgs (17.6 lbs.)

Specifications and appearance design subject to change without notice.

LUX CORPORATION, JAPAN

1-1, 1-CHOME, SHINSENRI-NISHIMACHI, TOYONAKASHI,
OSAKA, JAPAN PHONE: 06-834-2222 TELEX: J63694

LUX AUDIO OF AMERICA, LTD.

160 DUPONT ST. PLAINVIEW, NEW YORK 11803 U.S.A.